



Model: KOT-0170U-CA2P

**17" LCD Open frame PCAP Touch Monitor
(The Dust-proof Type)**

© 1.0 2014/07 By KeeTouch

Features & Application

Features

- ◆ Future generation panels phased-in without external changes.
- ◆ High quality panel with high brightness, high contrast ratio and broad viewing angle.
- ◆ Multiple mounting options including VESA mount, horizontal bracket-mount, vertical bracket mount
- ◆ Easy integration from side
- ◆ Finger operation.
- ◆ USB touch interface port.
- ◆ VGA input video format.
- ◆ Worldwide agency approvals.

Application

- ◆ Gaming/Casino Systems
- ◆ Outdoor and indoor Kiosks
- ◆ Entertainment
- ◆ Transport and Ticketing
- ◆ Hospitality
- ◆ Banking
- ◆ Customized Solutions

Accessories

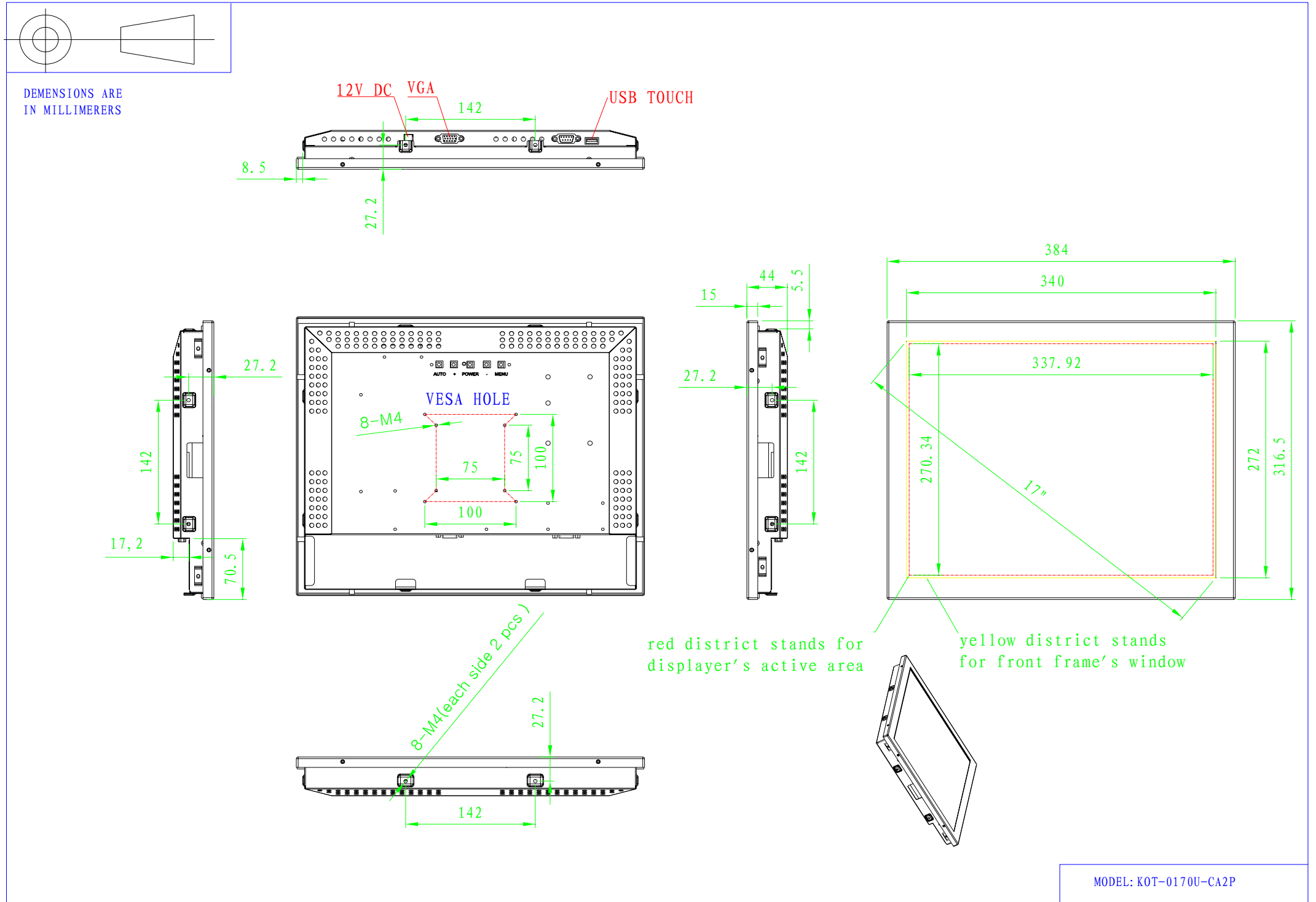
- ◆ **Power Cable:** A North American power cable or an European power cable or a Chinese Standard power cable is included according to the end user's area.
- ◆ **Power Supply Brick:** A power supply brick is included.
- ◆ **Touch/Video Cables:** USB touch cable, video cable are included


Specification

Model No.	KOT-0170U-CA2P	
Series	OT, Dust-proof	
Display Type	5:4Ratio 17 " Active matrix TFT-LCD	
Active Area	337.92x270.34(mm)	
Monitor Dimensions	Width: 384mm Height: 316.5mm Depth: 44mm	
Suggested Resolution	1280x1024 @ 60Hz	
Support Colors	16.7M	
Brightness(Typ.)	Pure LCD Panel	250cd/m ²
	With CA glass sensor panel	210~225cd/m ²
Response Time(Typ.)	5ms	
Viewing Angle (Typ.at CR>10)	Horizontal(left/right)	85°/85°
	Vertical(up/down)	80°/80°
Contrast Ratio(Typ.)	1000:1	
Video Input	VGA	
Frequency (H/V)	30~80KHz / 60~75Hz	
Power Supply	Type: External brick Input (line) voltage: 100-240 VAC, 50-60 Hz Output voltage/current: 12 volts at 4 amps max	
Environment	Operating Temp.	0~50°C
	Storage Temp.	-20~60°C
	Operating RH:	5%~90%
	Storage RH:	5%~90%
MTBF	50,000 Hours	
Back light Life(Typ.)	50,000 Hours	
Weight (N.W/G.W)	3.9Kg(1pcs) / 9.5Kg (2pcs in one package)(Approx.)	
Out package Dimensions	485x250x425(mm)	
Power Consumption	16W Max.	
Standby power consumption	0.95W	
Mount Interface	1)VESA 75mm and 100mm 2)Mount bracket, horizontal or vertical	
OSD Control	Buttons	AUTO,+,POWER,-,MENU
	Function	Brightness, Contrast Ratio, Auto-adjust, Phase, Clock, H/V Location, Languages, Function, Reset
Touch screen Type	17"Projected Compacitive touch sensor, 10points in WIN7, 1points in XP	
Touch System Interface	Having USB interface	
Touch response time	USB:10ms	
Agency Approval	CCC,ETL,FCC,CE,RoHS	
Regular Warranty	1 year	

NOTE: The display SPEC. will change follow the relevant LCD panel brand and model

Mechanical Dimensions



Record of revision

Version & Date	Old description	New description
1.0 2014/06/27	First Edition for Customer	