

Model: KOT-0121US-SA6BP

12.1" LCD Open Frame SAW Touch Monitor

(The Dust-proof Type)

© 1.0 2014/07 By KeeTouch

Features & Application

Features

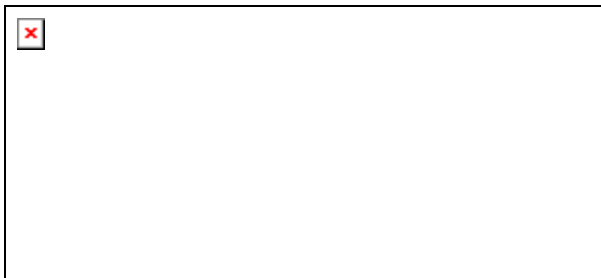
- ◆ Long lasting product cycle-enclosure controlled by Keetouch specifications.
- ◆ Future generation panels phased-in without external changes.
- ◆ High quality panel with high brightness, high contrast ratio and broad viewing angle.
- ◆ Multiple mounting options including rear mount ,VESA mount, horizontal or vertical bracket-mount.
- ◆ Keetouch's SAW technology on pure glass for the ultimate in image quality.
- ◆ Easy integration from side.
- ◆ Finger operation.
- ◆ Dual USB and RS232 touch interface.
- ◆ Worldwide agency approvals.

Application

- ◆ Gaming/Casino Systems
- ◆ Outdoor and indoor Kiosks
- ◆ Entertainment
- ◆ Transport and Ticketing
- ◆ Hospitality
- ◆ Banking

Accessories

- ◆ Power Cable: A North American power cable or an European power cable or a Chinese Standard power cable is included according to the end user's area.
- ◆ Power Supply Brick: A power supply brick is included.
- ◆ Touch/Video Cables: Detachable serial or USB touch cable, and video cables are included.
- ◆ L-brackets: Two standard L-brackets are included



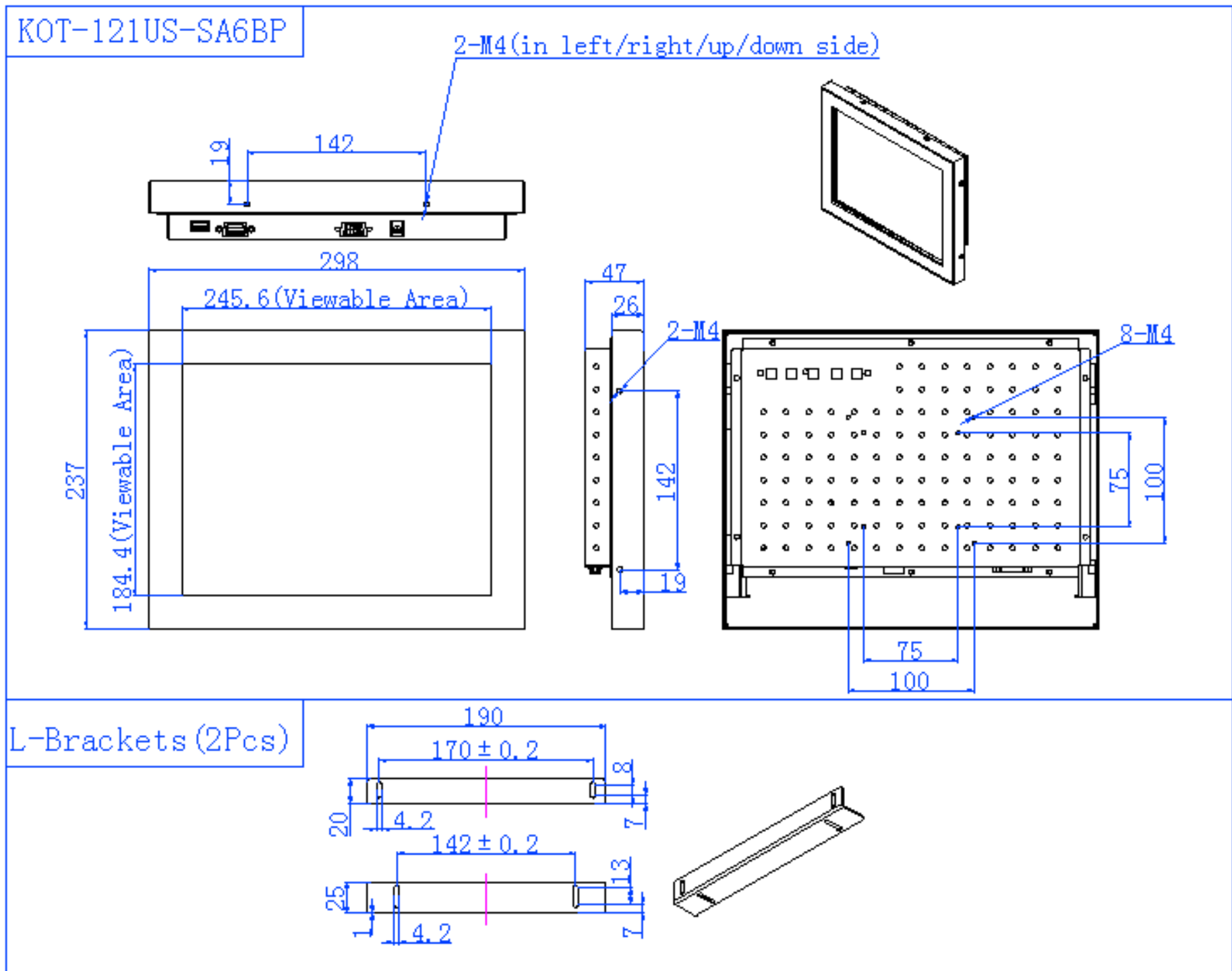
Specification

Model No.	KOT-0121US-SA6BP	
Series	OT, Dust-proof	
Display Type	12.1 " (diagonal) Active matrix TFT-LCD	
Active Area(display)	246mm×184.5mm	
Monitor Dimensions	Width: 298mm Height: 237mm Depth: 47mm	
Suggested Resolution	800×600	
Support Colors	262K	
Brightness(Typ.)	Pure LCD Panel	370cd/m ²
	With SAW Glass Sensor	333cd/m ²
Response Time(Typ.)	25ms	
Viewing Angle (Typ.at CR>10)	Horizontal(left/right)	70°/70°
	Vertical(up/down)	50°/60°
Contrast Ratio(Typ.)	450:1	
Video Input	VGA	
Frequency (H/V)	30~80KHz / 60~75Hz	
Power Supply	Type: External brick Input (line) voltage: 100-240 VAC, 50-60 Hz Output voltage/current: 12 volts at 1 amps	
Environment	Operating Temp.	-10~50°C
	Storage Temp.	-20~60°C
	Operating RH:	20%~80%
	Storage RH	10%~90%
MTBF	50,000 Hours	
LCD Back light Life(Typ.)	50,000 Hours	
Weight (N.W/G.W)	4.3Kg /5.8 Kg (Approx.)	
Out package Dimensions	251mm(L)*185mm(W)*214mm(H)	
Power Consumption	25W Max.	
Mount Interface	1)VESA 75mm and 100mm 2)Mount bracket, horizontal or vertical (Standard mount brackets are supplied)	
OSD Control	Buttons	AUTO,+,POWER,-,MENU
	Function	Brightness, Contrast Ratio, Auto-adjust, Phase, Clock, H/V Location, Languages, Function, Reset
Touch screen Type	12.1" SAW 6MM thickness of touch screen sensor; (Available Options: Anti-glare/Tempered)	
Touch System Interface	USB and RS232	
Touch Response time	USB<10ms	
Agency Approval	CCC,ETL,FCC,CE,RoHS	
Regular Warranty	1 year	

NOTE: The display SPEC. will change follow the relevant LCD panel brand and model



Mechanical Dimensions



Record of revision

Version & Date	Old description	New description
1.0 2014/06/27	First Edition for Customer	

ADD: 1~4 Floor, BLD 9 , Luck-King Industry Park Gongyedong Road, Longhua District, Shenzhen 518109, P.R.China
 Tel: +86-755-82599797 Fax: +86-755-82599968
 E-mail: sales@keetouch.com www.keetouch.com

KeeTouch reserves the right to change or update, without notice, any information contained herein; to change, without no construction, materials, processing or specifications of discontinue or limit production or distribution of any products. and to discontinue or limit production or distribution of any products

