



**Model: KOT-0104U-SA4BP**

**10.4" LCD Open frame SAW Touch Monitor  
(The Dust-proof Type)**

© 1.0 2014/07 By Keetouch

## Features & Application

### **Features**

- ◆ Long lasting product cycle-enclosure controlled by Keetouch specifications .
- ◆ Future generation panels phased-in without external changes.
- ◆ High quality panel with high brightness, high contrast ratio and broad viewing angle.
- ◆ Multiple mounting options including horizontal bracket-mount, vertical bracket mount and VESA mount.
- ◆ Easy integration from side.
- ◆ Finger operation.
- ◆ VGA input video format.
- ◆ USB touch interface port.
- ◆ Worldwide agency approvals.

### **Application**

- ◆ Gaming/Casino Systems
- ◆ Outdoor and indoor Kiosks
- ◆ Entertainment
- ◆ Transport and Ticketing
- ◆ Hospitality
- ◆ Banking
- ◆ Customized Solutions

### **Accessories**

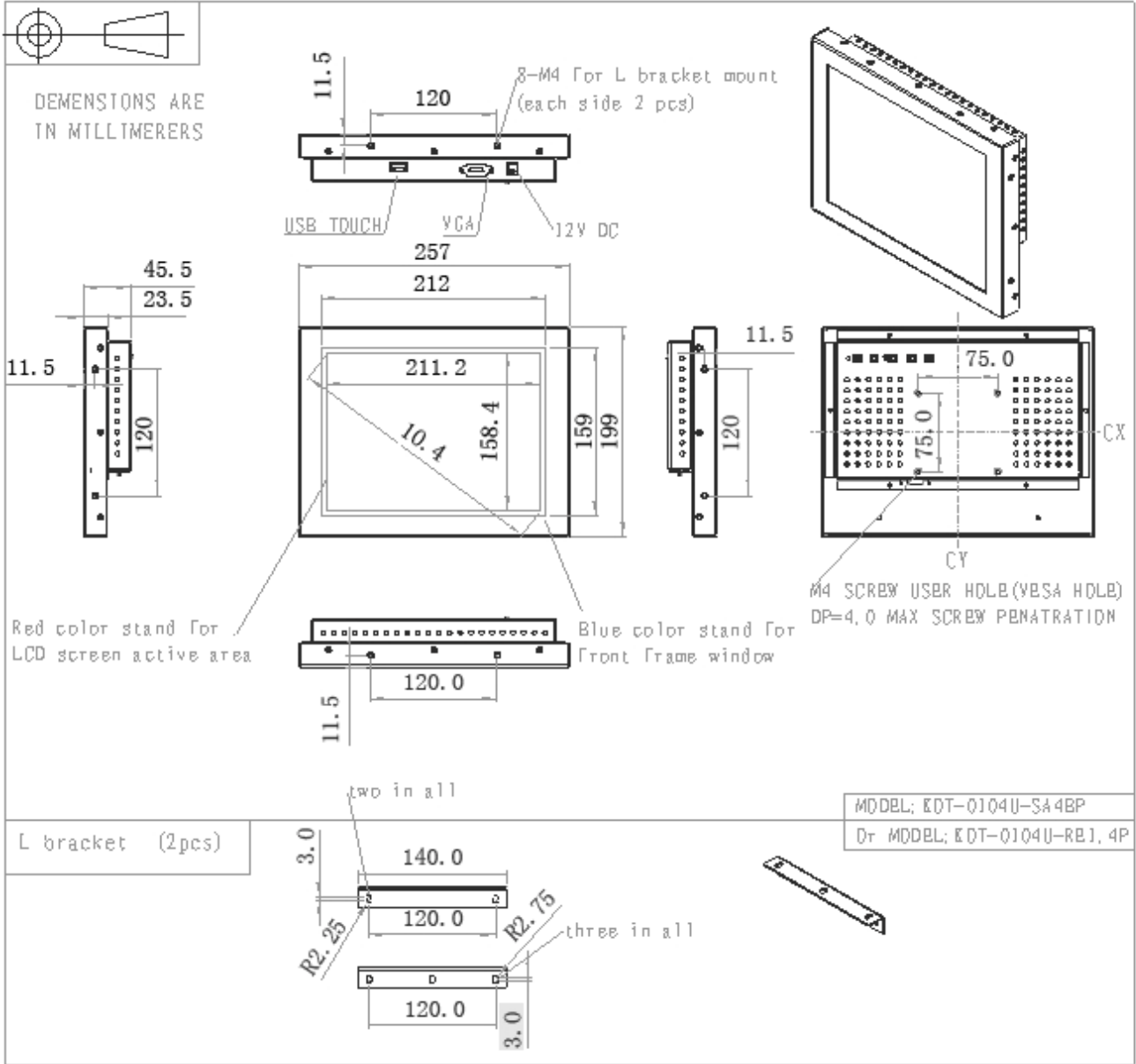
- ◆ **Power Supply Brick:** A power supply brick is included.
- ◆ **Touch/Video Cables:** USB touch cable, video cable are included
- ◆ **Mount bracket:** A pair of standard mount bracket for horizontal or vertical mounting

## Specification

<b>Model No.</b>	KOT-0104U-SA4BP	
<b>Series</b>	OT, Dust-proof	
<b>Display Type</b>	4:3Ratio 10.4 " Active matrix TFT-LCD	
<b>Active Area</b>	211.2×158.4(mm)	
<b>Monitor Dimensions</b>	<b>Width:</b> 257mm <b>Height:</b> 199mm <b>Depth:</b> 45.5mm	
<b>Suggested Resolution</b>	800×600 (SVGA)	
<b>Support Colors</b>	16.2M	
<b>Brightness(Typ.)</b>	Pure LCD Panel	300cd/m2
	With Resistive Touch panel	270cd/m2
<b>Response Time(Typ.)</b>	30ms	
<b>Viewing Angle (Typ.at CR&gt;10)</b>	Horizontal(left/right)	75°/75°
	Vertical(up/down)	50°/60°
<b>Contrast Ratio(Typ.)</b>	500:1	
<b>Video Input</b>	VGA	
<b>Frequency (H/V)</b>	30~80KHz / 60~75Hz	
<b>Power Supply</b>	Type: External brick Input (line) voltage: 100-240 VAC, 50-60 Hz	
<b>Environment</b>	Operating Temp.	0~50°C
	Storage Temp.	-20~60°C
	Operating RH:	20%~80%
	Storage RH:	10%~90%
<b>MTBF</b>	50,000 Hours	
<b>LED Back light Life(Typ.)</b>	50,000 Hours	
<b>Weight (N.W/G.W)</b>	2.25Kg (1pcs) /6.55Kg (2pcs in one package) (Approx.)	
<b>Out package dimensions</b>	330×220×280 (mm) (2pcs in one package)	
<b>Power Consumption</b>	15.44W Max.	
<b>Standby power consumption</b>	1.25W	
<b>Mount Interface</b>	Mount bracket, horizontal or vertical and VESA mount (Standard mount brackets are supplied)	
<b>OSD Control</b>	Buttons	AUTO,+,POWER,-,MENU
	Function	Brightness, Contrast Ratio, Auto-adjust, Phase, Clock, H/V Location, Languages, Function, Reset
<b>Touch screen Type</b>	10.4" SAW touch screen sensor	
<b>Touch System Interface</b>	Having USB interface	
<b>Touch Response time</b>	USB: 8.4ms	
<b>Agency Approval</b>	CCC, ETL, FCC, CE, RoHS	
<b>Regular Warranty</b>	1 year	

NOTE: The display SPEC. will change follow the relevant LCD panel brand and model

## Mechanical Dimensions



## Record of revision

Version & Date	Old description	New description
1.0 2014/06/27	First Edition for Customer	